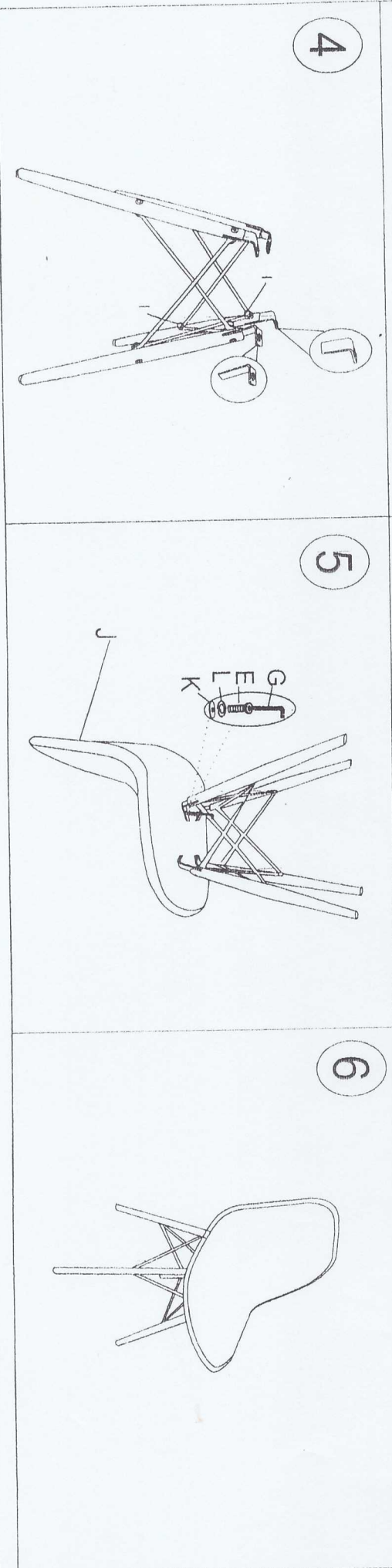
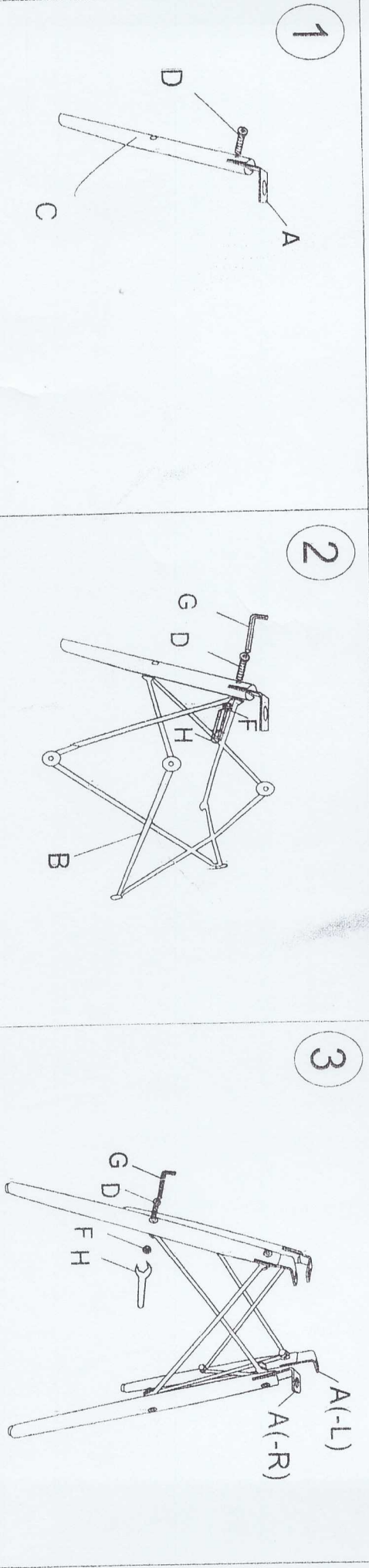


# Assembly Instruction



<b>A</b> <sub>X2</sub> 	<b>B</b> <sub>X1</sub> 	<b>C</b> <sub>X4</sub> 	<b>J</b> <sub>X1</sub> 	<b>K</b> <sub>X4</sub> 
<b>D</b> <sub>X8</sub> 	<b>E</b> <sub>X4</sub> 	<b>F</b> <sub>X8</sub> 	<b>G</b> <sub>X1</sub> 	<b>I</b> <sub>X8</sub> 
<b>A(-LX1)</b> 	<b>A(-RX1)</b> 	<b>H</b> <sub>X1</sub> 	<b>L</b> <sub>X4</sub> 	<b>LX4</b> 