







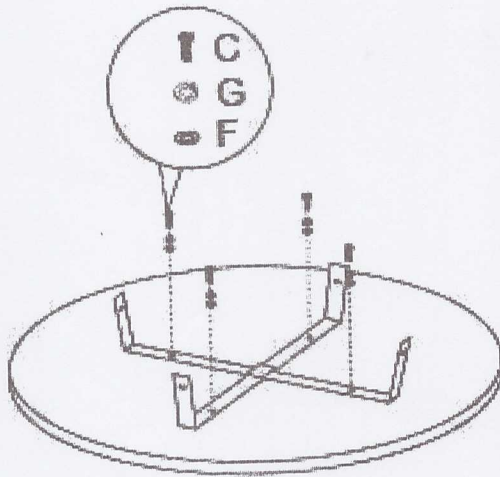
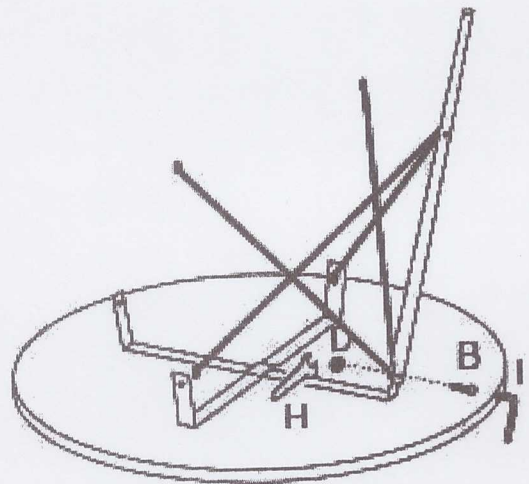
 Ax4	 Bx4	 Cx4
 Dx8	 Ex8	 Fx4
 Gx4	 Hx1	 Ix1

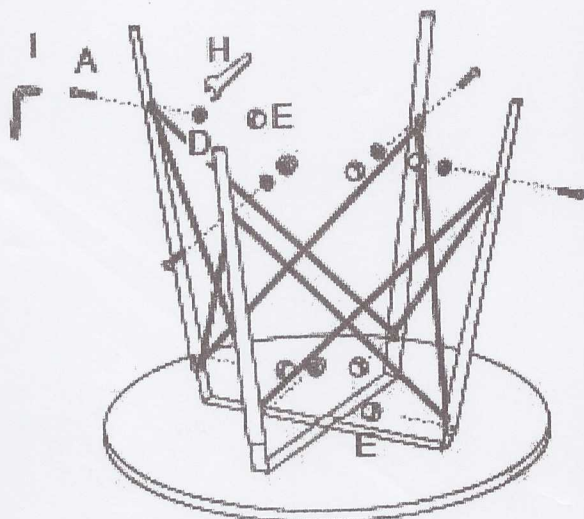
1



2



3



4

